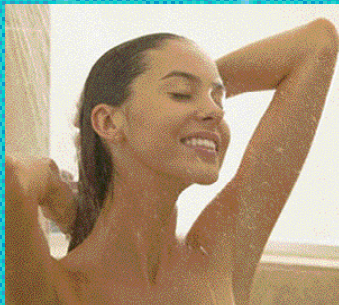




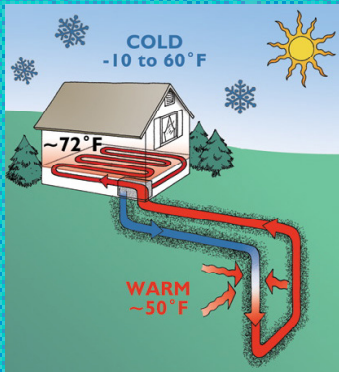
Radiantmax Floor Heating



Solar Hydronic



Tankless Hot Water



Geothermal



- Easy to use
- Designed for potable applications
- Flexible shaping with memory
- Improved heat transfer

RADIANTMAX PERMAPEX pipe is a unique multipurpose piping system that combines the very best features of metal and plastic pipes all in one. The flexibility of PEX and the rigid shaping ability of copper.

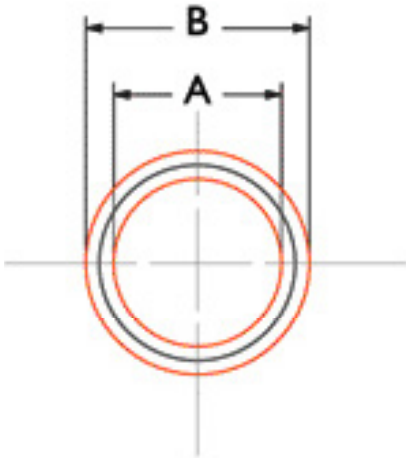
Radiantmax PermaPEX is a composite pipe made with an aluminum core bonded to interior and exterior layers of plastic. This engineered combination of materials provides the strength of metal with the longevity and durability of plastic - all in an easily handled and installed system.

Available in multiple sizes, PermaPEX can be used for all of your plumbing and radiant heating needs. Standard sizes include: 1/2" x 100', 5/8" x 100', 3/4" x 100', 1" x 100'

Radiantmax PermaPEX



your environmental solutions provider



Tube:	1/2"	5/8"	3/4"	1"
A dimension (inner diameter)	0.500"	0.625"	0.750"	1.000"
B dimension (outer diameter)	0.625"	0.750"	1.000"	1.250"

Diameter:	I.D. 0.500", 0.625", 0.750", 1.000" O.D. 0.625", 0.750", 1.000", 1.250"
Length:	1/2" available in 100', all other sizes available in 100' and 300' rolls
Performance Spec:	200PSI @ 73°F 125PSI @ 180°F
Standards:	[CNFUS-PW] (ASTM F1281)UPC CSA/B1237.10 POTABLE

Represented by:



585-412-4245
www.eagle-mt.com